



TERRAPIN - Self-adjusting weir skimmer

PROVEN OIL SPILL TECHNOLOGY

TERRAPIN - Self-adjusting weir skimmer

The TERRAPIN is a new self-adjusting weir skimmer ideal for installation and deployment in tanks, industrial separators, wells and sumps where floating oil and other floating liquids need to be recovered.

At the heart of the TERRAPIN is the self-adjusting weir that automatically sets the depth of the weir according to the pumping rate. Pump faster and the weir will sink lower and take a deeper cut. Pump slower and the weir will rise up and take a finer cut.

The TERRAPIN has been designed with industrial applications in mind. The unit may be used free floating with a 1¼ in suction hose connected to the underside. Alternatively a suction hose, connected to the top of the skimmer, can suspend the TERRAPIN.

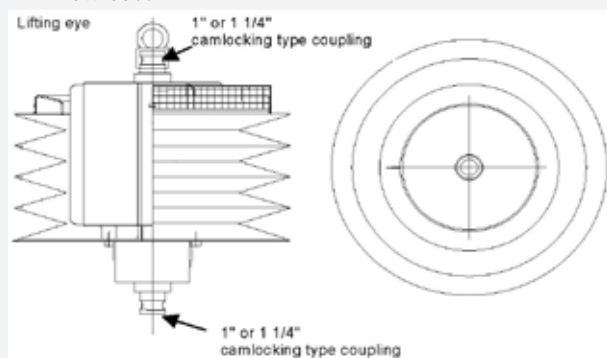
The diameter of the TERRAPIN is only 410 mm / 16 in, which permits access into drains and through man-holes in storage tanks. This skimmer may be considered for hazardous areas.

The TERRAPIN is constructed in marine grade stainless steel, moulded polyethylene and polyurethane - making it resistant to oils and many environments found in industrial applications.



Advantages of the TERRAPIN

- Self-adjusting floating weir skimmer that is ideal for industrial applications – tanks, drains, sumps, and oil separators
- Top and bottom suction connections
- 410 mm / 16 in diameter
- Shallow draught
- Lightweight
- Corrosion and oil resistant materials
- Virtually maintenance free!
- Skimming up to 10,000 litres/hour / 44 US gpm
- Low cost



TECHNICAL DATA

Diameter:	410 mm / 16 in
Inlet weir:	350 mm / 13 ½ in
Top of float to bottom of skimmer:	380 mm / 15 in
Maximum capacity:	10,000 litres per hour / 44 US Gallons per minute.
Maximum draught:	335 mm / 13¼ in
Connections:	1¼ in male Camlock type coupling.
Materials:	Stainless steel, polyurethane and polyethylene – chemical and acid resistant.
Weight:	8.5 kg / 19 lbs
Suitable pumps:	Pumps should be ideally self-priming suction type such as diaphragm, peristaltic etc with variable flow. The TERRAPIN may also be used with vacuum trucks.
Hose:	Suction hose with floats available on request.

The self-adjusting weir will descend to the lower position when the suction rate is increased, and take a deeper skim of the liquid. The TERRAPIN has a bottom connection for tanks and larger bodies of water.

At slower suction rates the weir will be in a higher position providing finer skimming of the surface. Using the top connection the TERRAPIN can be lowered into sumps, drains and tanks.