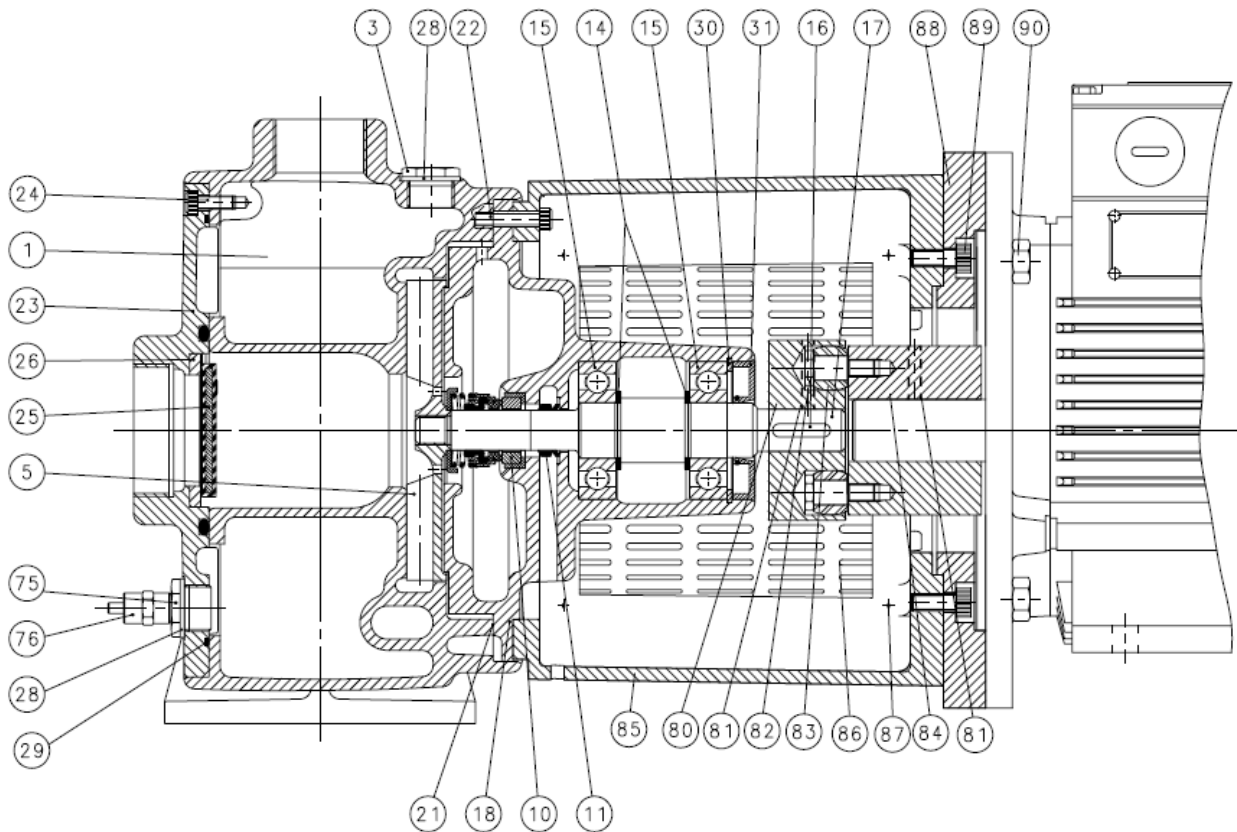


15.2 Assembly drawing for S32-25-110 and S50-32-135N



16. SPARE PARTS LISTS

16.1 Spare parts list for pumps bigger than S32-25-110 and S50-32-135N

1 Pump casing	15 Bearing cover	29 O-ring
2 Pipe plug	16 Allen screw	70 Set screw
3 Pipe plug	17 Shaft	71 Allen screw
4 Sealing ring	18 Shaft seal cover	72 Intermediate flange
5 Impeller	19 Coupling	73 Pointed screw
6 Nut	20 Motor bracket	75 Drain plug
7 Spring collar	21 Gasket	76 Relief valve
8 Washer	22 Allen screw	77 INSEX screw
9 Sunk key	23 Inlet	78 Sunk key
10 Mech. shaft seal	24 Allen screw	
11 Water deflector	25 Non-return flap	
12 Ring lock	26 Valve plate	
13 Ball bearing	27 Sealing washer	
14 Support disc	28 Sealing washer	

16.2 Spare parts list for S32-25-110 and S50-32-135N

1	Pump casing	29	O-ring
3	Pipe plug	30	Snap ring
5	Impeller	31	Oil sealing ring
10	Mech. shaft seal	75	Drain plug
11	Water deflector	76	Relief valve
14	Support disc	80	Coupling pump half
15	Bearing	81	Point screw
16	Sunk Key	82	Screw
17	Shaft	83	Rubber ring
18	Shaft sealing cover	84	Coupling motor half
21	Gasket	85	Motor bracket
22	Allen Screw	86	Coupling guard
23	Inlet	87	Screw
24	Allen screw	88	Intermediate flange
25	Non-return flap	89	Allen screw
26	Valve plate	90	Screw
28	Sealing washer		