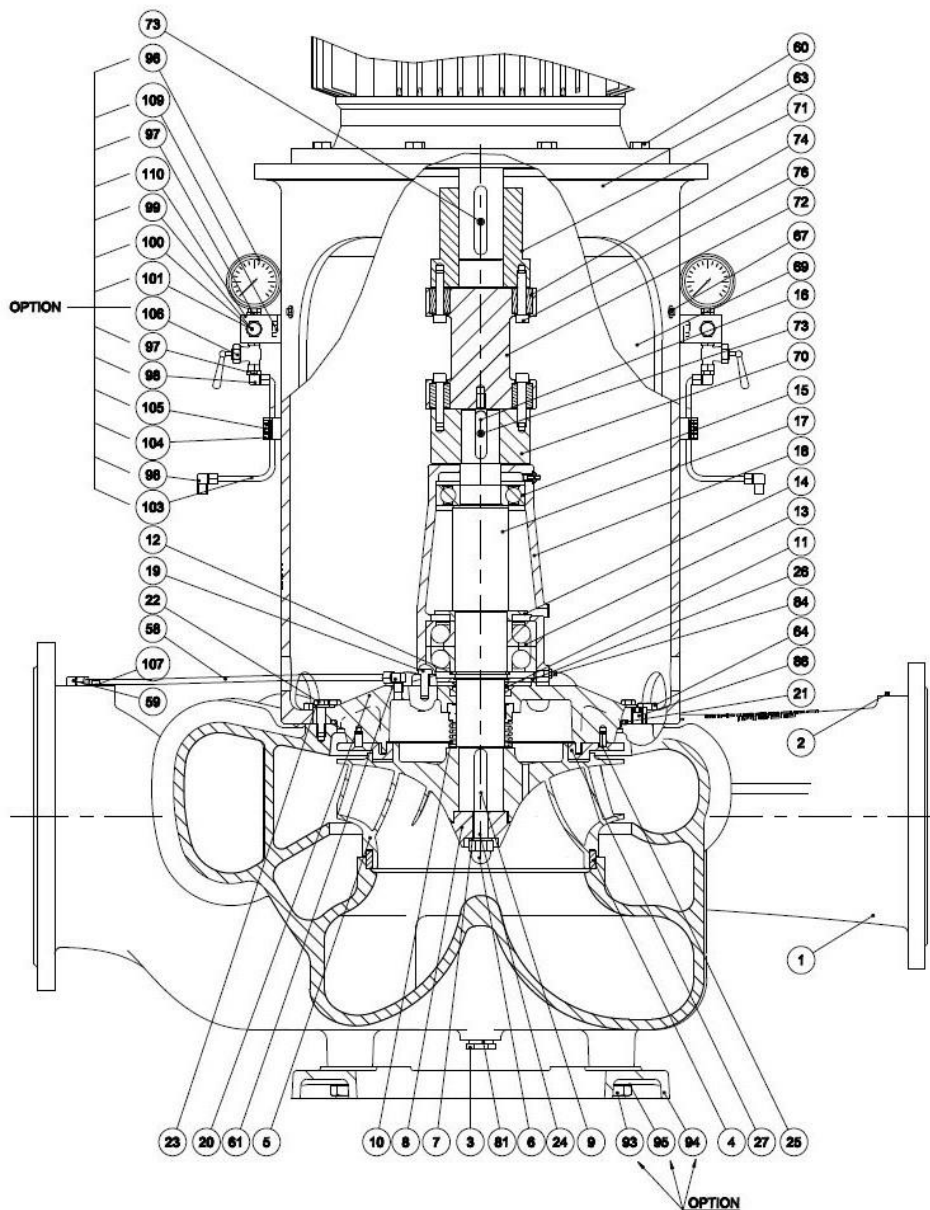


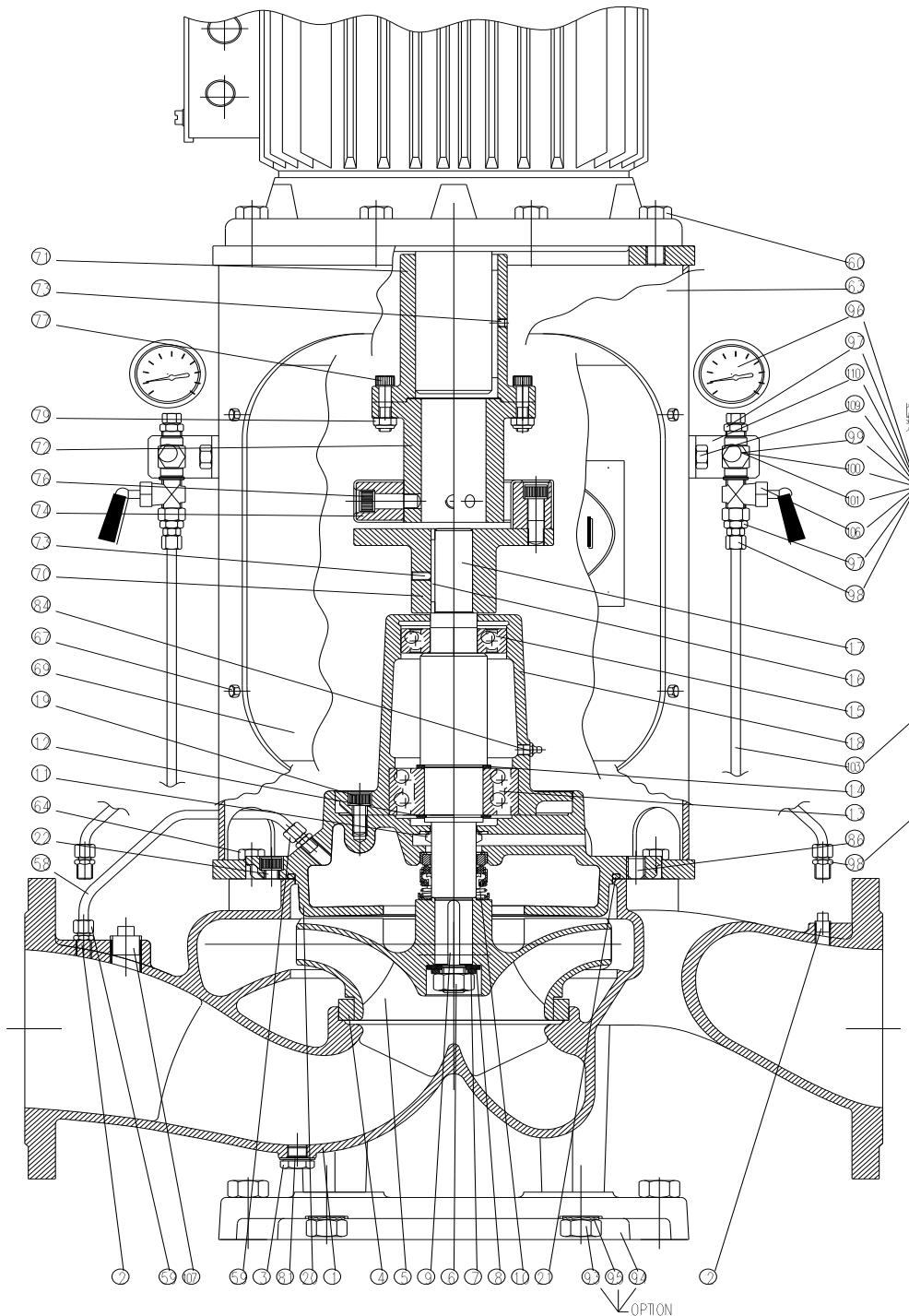
17. ASSEMBLY DRAWING AND SPARE PARTS LIST NSL300-418



- 1 Pump casing
- 2 Pipe plug
- 3 Pipe plug
- 4 Sealing ring
- 5 Impeller
- 6 Cap nut
- 7 Spring collar
- 8 Inlet cone
- 9 Sunk key
- 10 Mech. shaft seal
- 11 Water deflector
- 12 Ring lock
- 13 Ball bearing
- 14 Grease valve ring
- 15 Ball bearing
- 16 Sunk key
- 17 Shaft
- 18 Bearing housing
- 19 Set screw
- 20 Shaft seal cover
- 21 O-ring
- 22 Set screw
- 23 Lock washer
- 24 Stud
- 25 Countersunk screw
- 26 Cover under bearing
- 27 Sealing ring 2
- 28 Copper pipe
- 29 Hexagon nipple
- 30 Set screw
- 31 Hexagon nipple
- 32 Bracket
- 33 Set screw
- 34 Set screw
- 35 Guard
- 36 Coupling part pump
- 37 Coupling part motor
- 38 Spacer
- 39 Pointed screw
- 40 Coupling bush
- 41 Allen screw
- 42 Sealing washer
- 43 Lubricator nipple
- 44 Point screw
- 45 Set screw
- 46 Base plate
- 47 Lock washer
- 48 Manometer
- 49 Reducing nipple
- 50 Hexagon nipple
- 51 T-piece
- 52 Bulkhead connection
- 53 Screw cap
- 54 Copper pipe
- 55 Pipe clamp
- 56 Allen screw
- 57 Gauge valve
- 58 Pipe plug
- 59 Set screw
- 60 Manometer fitting

15. ASSEMBLY DRAWING AND SPARE PARTS LIST ø215/265

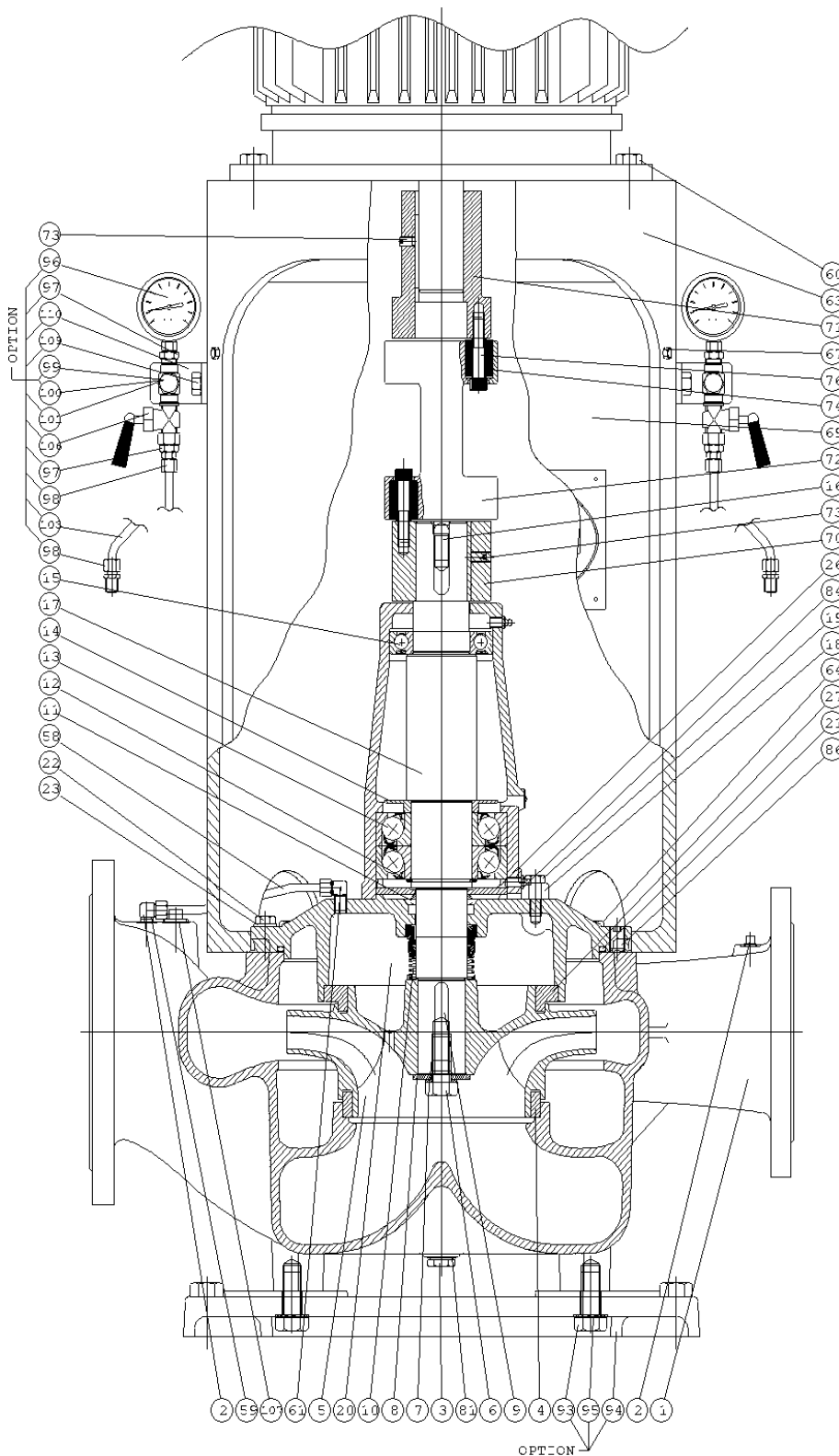
See ø330/415/525 pumps on the next page



- 1 Pump casing
- 2 Pipe plug
- 3 Pipe plug
- 4 Sealing ring
- 5 Impeller
- 6 Nut
- 7 Spring collar
- 8 Washer
- 9 Sunk key
- 10 Mech. shaft seal
- 11 Water deflector
- 12 Ring lock
- 13 Ball bearing
- 14 Support disc
- 15 Ball bearing
- 16 Sunk key
- 17 Shaft
- 18 Bearing housing
- 19 Allen screw
- 20 Shaft seal cover
- 21 O-ring
- 22 Allen screw
- 58 Copper pipe
- 59 Hexagon nipple
- 60 Set screw
- 63 Bracket
- 64 Set screw
- 67 Set screw
- 69 Guard
- 70 Coupling part pump
- 71 Coupling part motor
- 72 Spacer
- 73 Pointed screw
- 74 Elastomer
- 76 Allen screw
- 77 Allen screw
- 79 Nut
- 81 Sealing washer
- 84 Lubricator nipple *)
- 86 Pointed screw
- 93 Set screw
- 94 Base plate
- 95 Lock washer
- 96 Manometer
- 97 Reducing nipple
- 98 Hexagon nipple
- 99 T-piece
- 100 Bulkhead connection
- 101 Screw cap
- 103 Copper pipe
- 106 Gauge valve
- 107 Pipe plug
- 109 Set screw
- 110 Manometer fitting

*) 84 only combination 14

16. ASSEMBLY DRAWING AND SPARE PARTS LIST ø330/415/525



- 1 Pump casing
- 2 Pipe plug
- 3 Pipe plug
- 4 Sealing ring
- 5 Impeller
- 6 Set screw
- 7 Spring collar
- 8 Washer
- 9 Sunk key
- 10 Mech. shaft seal
- 11 Water deflector
- 12 Ring lock
- 13 Ball bearing
- 14 Grease valve ring*
- 15 Ball bearing
- 16 Sunk key
- 17 Shaft
- 18 Bearing housing
- 19 Set screw
- 20 Shaft seal cover
- 21 O-ring
- 22 Set screw
- 23 Lock washer
- 26 Cover under bearing
- 27 Sealing ring 2
- 58 Copper pipe
- 59 Hexagon nipple
- 60 Set screw
- 61 Hexagon nipple
- 63 Bracket
- 64 Set screw
- 67 Set screw
- 69 Guard
- 70 Coupling part pump
- 71 Coupling part motor
- 72 Spacer
- 73 Pointed screw
- 74 Coupling bush
- 76 Allen screw
- 81 Sealing washer
- 84 Lubricator nipple
- 86 Pointed screw
- 93 Set screw
- 94 Base plate
- 95 Lock washer
- 96 Manometer
- 97 Reducing nipple
- 98 Hexagon nipple
- 99 T-piece
- 100 Bulkhead connection
- 101 Screw cap
- 103 Copper pipe
- 106 Gauge valve
- 107 Pipe plug
- 109 Set screw
- 110 Manometer fitting

*) Support disc in comb. 13.